



PRODUCT LINE

Tube Fittings • Tube Adapters • General Purpose Valves • Ball Valves • Plug Valves • Needle Valves • Quick Connects • Pipe Fittings • Hose Products

MADE IN THE USA



3 PIECE BALL VALVES

3 Piece Ball Valves have a swing out-design for in-line repair.

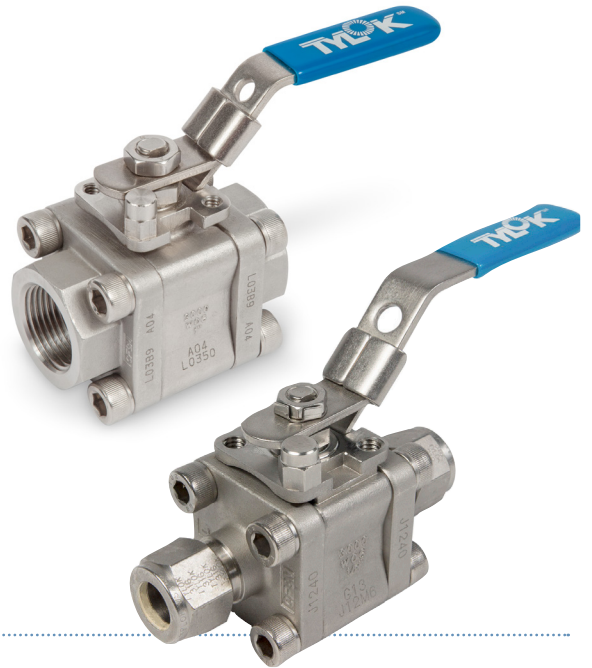
FEATURES

- Operating Pressures up to 3,000 psig
- Blow out proof stem
- Designed for pneumatic or electric actuation
- Standard – Locking lever handle
- Available – ASME B16.34 compliant
- Available – Fire safe to API 607 4th Edition & ISO 10497

SIZES ¼” – 1”

MATERIALS Stainless Steel

END CONNECTIONS Instrumentation tube ends, Female and Male NPT



QUICK CONNECTS

Quick Connects have redundant o-ring seals that provide quick leak-tight connections in vacuum or pressure systems.

FEATURES

- Pressure ratings to 3000 psig and vacuum to 50 millitorr
- Single and double ended shut-offs (SESO/DESO)

SIZES ⅛” – ⅜”

MATERIALS Stainless Steel

END CONNECTIONS Instrumentation tube ends, Female and Male NPT



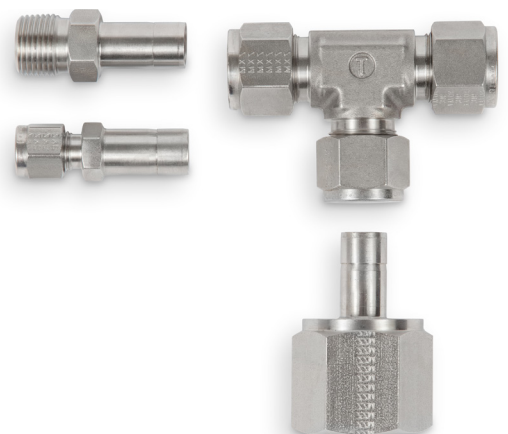
TUBE ADAPTERS

Tube adapters are designed for use with standard fittings to provide quick leak-tight connections in vacuum or pressure systems.

SIZES ⅛” – 1”

MATERIALS Stainless Steel and Brass

END CONNECTIONS Instrumentation tube ends, female and male NPT, tube stubs, and port connectors



PIPE FITTINGS

Tylok Instrumentation Pipe Fittings meet applicable ASTM or ASME specifications with threads which meet or exceed ANSI/ASME B1.20.1 requirements.

FEATURES

- Manufactured to ASTM and ASME standards
- Meet or exceed ANSI/ASME B1.20.1 requirements

SIZES 1/8" – 1"

MATERIALS Stainless Steel, Carbon Steel and Brass



FLEXIBLE HOSE

PTFE-LINED, STAINLESS STEEL BRAIDED HOSE

- Working pressures from vacuum to 3000 psig (206 bar)
- Temperatures from -65 to 400°F (-53 to 204°C)
- End connection sizes from 1/4" to 1"
- Standard and custom-length assemblies

FLEXIBLE METAL HOSE

- Working pressures from vacuum to 4600 psig (317 bar)
- Temperatures from -325 to 850°F (-200 to 454°C)
- End connection sizes from 1/4" to 1"
- Standard and custom-length assemblies

MULTIPURPOSE PUSH-ON HOSE

- Working pressures up to 400 psig (24.1 bar)
- Temperatures from -40 to 200°F (-40 to 93°C)
- End connection sizes from 1/4" to 3/4"
- Bulk hose available.

HOSE CONNECTORS

- End connection sizes from from 1/4" to 1"



Teflon Lined



Flexible Metal



Multipurpose Push-on

CBC-Lok® TUBE FITTINGS

CBC-Lok® Tube Fittings are fully interchangeable with Swagelok® and Parker A-Lok.®

FEATURES

- Double ferrule swaging system with two positive seals
- Corrosion resistant ferrule
- Ty-Cor™ process applied to rear ferrule
- Gaugeable

CS-Lok® TUBE FITTINGS

CS-Lok® Fittings are fully interchangeable with Parker CPI.®

FEATURES

- Single ferrule swaging system
- Corrosion resistant ferrule
- TyCor™ process applied to single ferrule
- Gaugeable

TYPICAL ENDS FOR BOTH CBC-Lok® AND CS-Lok® FITTINGS INCLUDE

Instrumentation Tube ends, Female and Male NPT, Butt Weld, Socket Weld, AN Flare.

SIZES 1/16" – 1"

MATERIALS Stainless Steel, Carbon Steel and Brass

Additional end connections and configurations are available. Please consult your local distributor for details.



GENERAL PURPOSE BALL VALVES

GP Series Valves are a cost effective solution for instrument isolation and general purpose shut-off applications.

FEATURES

- Operating Pressures up to 2,000 psig
- Blow out proof stem
- TFM 1600 seats
- Standard – Locking lever handle
- Butterfly and Oval handles – Available

SIZES 1/4" – 1"

MATERIALS Stainless Steel

END CONNECTIONS Instrumentation tube ends (1/4" – 1"), Female NPT (1/4" – 1/2")



INTEGRAL BONNET NEEDLE VALVES

Tylok Integral Bonnet Needle Valves for general flow control applications.

FEATURES

- Live loaded chevron style packing
- Standard – Panel mountable
- Operating pressures up to 5,000 psig
- Plated stem thread for longer life

SIZES 1/4" – 3/4"

MATERIALS Stainless Steel

END CONNECTIONS Instrumentation tube ends (1/4" – 3/4") Female and Male NPT (1/4" – 1/2")



HP SERIES BALL VALVES

HP Series Valves are designed for shut-off applications with bi-directional flow.

FEATURES

- Operating pressures up to 5,000 psig
- Standard -Jam nut for panel mounting
- Standard – PCTFE seats and FKM elastomer seals
- PTFE seats – Optional
- Locking device – Optional

SIZES 1/8" – 3/4"

MATERIALS Stainless Steel, Brass

END CONNECTIONS Instrumentation tube ends, Female and Male NPT



PLUG VALVES

Tylok plug valves offer low-torque, quarter turn operation in a simple, compact design that provides positive shutoff of forward flow with up to 3000 psig (206 bar) pressure.

FEATURES

- One piece body with integral connections
- Handle indicates valve position and flow direction

SIZES 1/8" – 3/8"

MATERIALS Stainless Steel

END CONNECTIONS Instrumentation tube ends, Female and Male NPT



SCREWED BONNET NEEDLE VALVES

Tylok Screwed Bonnet Needle Valves for general flow control applications.

FEATURES

- Operating pressures to 10,000 psig
- Isolated stem threads
- Optional panel mounting is available

SIZES 1/8" – 1"

MATERIALS Stainless Steel, Carbon Steel and Brass

END CONNECTIONS Instrumentation tube ends (1/8" – 1/2"), Female and Male NPT (1/8" – 1")



OUR HISTORY

In the mid 1940's, Cullen Crawford founded the Crawford Fitting Company. Mr. Crawford developed and patented the original flare less fitting (nut and two ferrule system), for the Crawford Fitting Company. Thus, a new and innovative industry was born making it far easier to make tubing connections. This reduces installation time and errors. Since his invention, End Users from all four corners of globe have made billions of connections. This system provides leak-proof seals and thus Mr. Crawford has been named "The founder of the flareless fitting."

OUR MISSION

It is our mission, at Tylok International, Inc., to continuously strive for and achieve total customer satisfaction with both our products and services.

OUR GOAL

Tylok's aggressive goal is to establish ourselves as an industry leader and expand our market share. This is maintained in every department within the organization. Our "total effort" will guard against losing the personal touch that makes our business enjoyable and prosperous for all involved.

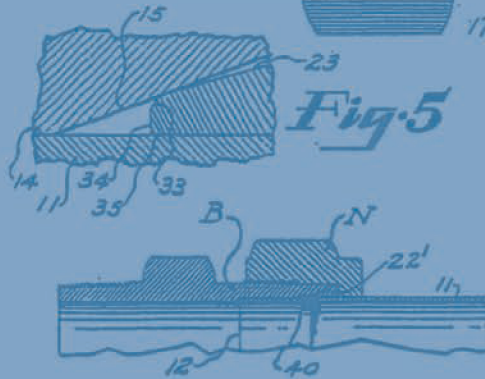
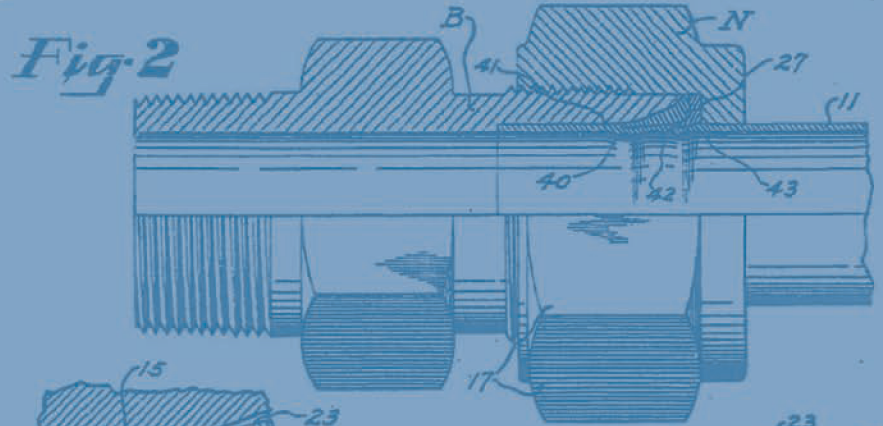
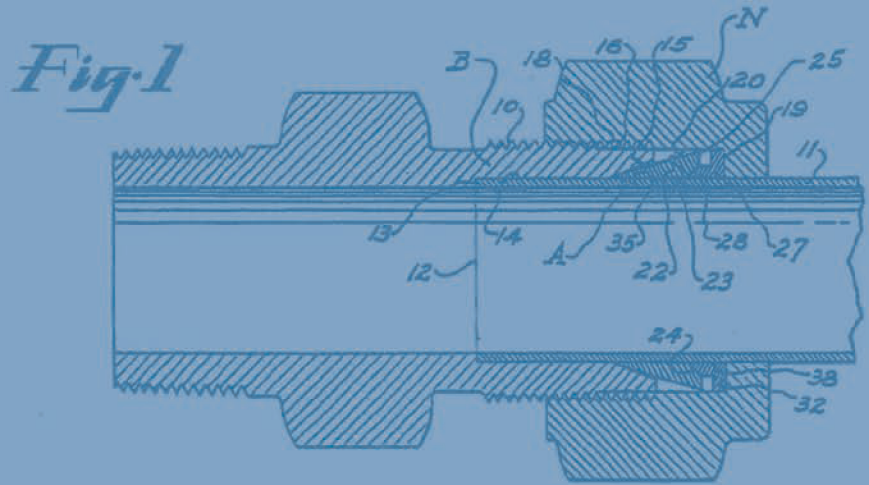


Fig. 3

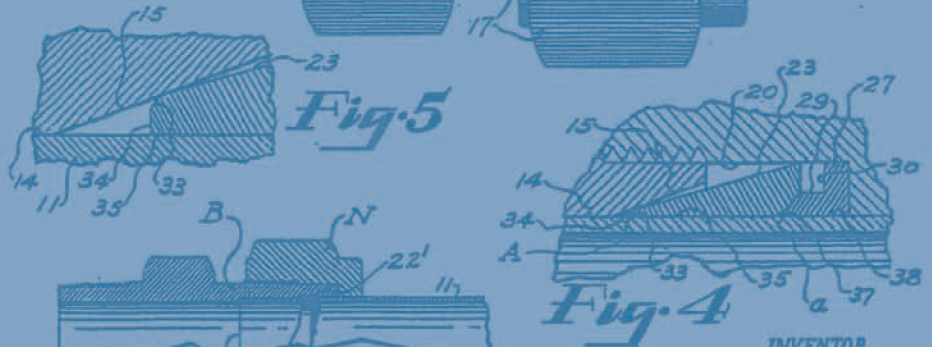


Fig. 4

INVENTOR.
CULLEN B. CRAWFORD
BY *Jay, Golrick & Jay*
ATTORNEYS

TYLOK.COM

