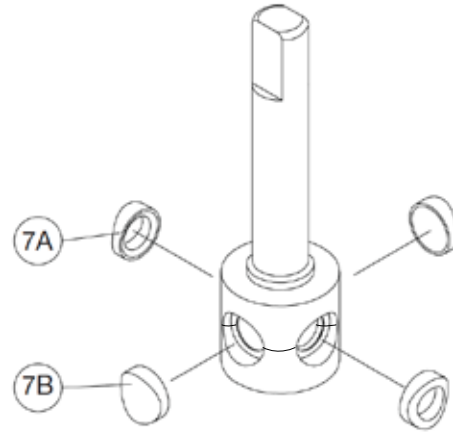
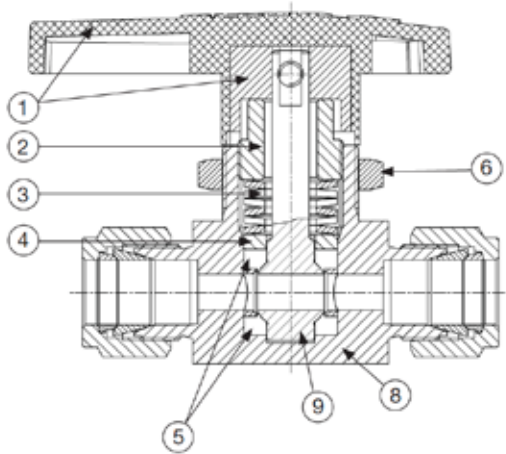




Features

- **Live-Load Option**
 - Springs create a “live-loading” so packing adjustments are made less frequently
- **Directional Handle**
 - Shows system flow direction
- **Panel Mountable**
 - Standard
- **Packing Can Be Adjusted**
 - Allows for adjustments due to pressure, temperature or wear
- **Minimal Dead Space**
 - Sealing is created without system pressure
- **One Piece Body Construction**
 - Reduces leak points
- **Factory Tested**
 - 1000 psi nitrogen to a maximum allowable leakage of 0.1 SCCM
- **Temperature/Pressure**
 - Up to 3,000 psig (206 bar) Pressure Rating
 - -65°F (-54°C) to 300°F (65°C) Temperature Rating
- **Dimensionally Matches Industry Standard**
 - Valves were designed around competitor dimension
 - Available in Straight & 3-Way configurations
- **Locking Option Available**

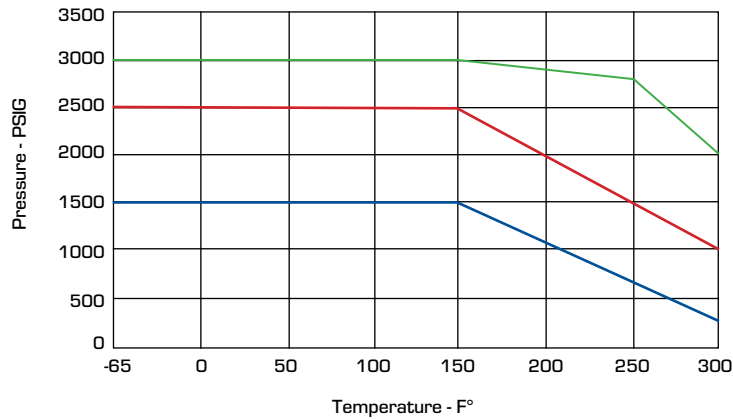


Spring Loaded Valve pictured above.

#	Components	Description/Material
1	Handle	Nylon/Aluminum Alloy Insert
2	Packing Bolt	SS316 ASTM A176
3	Packing Springs* *	SS316 ASTM A240
4	Upper Gland	SS316 ASTM A276/A479
5	Stem/Seat Packing	PTFE ASTM D1710
6	Panel Nut	S17400 ASTM A693
7A/7B	Seat Support Ring	SS316 ASTM 276 with Fluorocarbon coating
8	Body	SS316 ASTM A276/A182
9	Stem	SS316 ASTM A276/A479
10	Locking Bracket*	SS316 ASTM A479
11	Lubricant	Wetted Component: Silicone based Non-Wetted Component: Hydrocarbon based

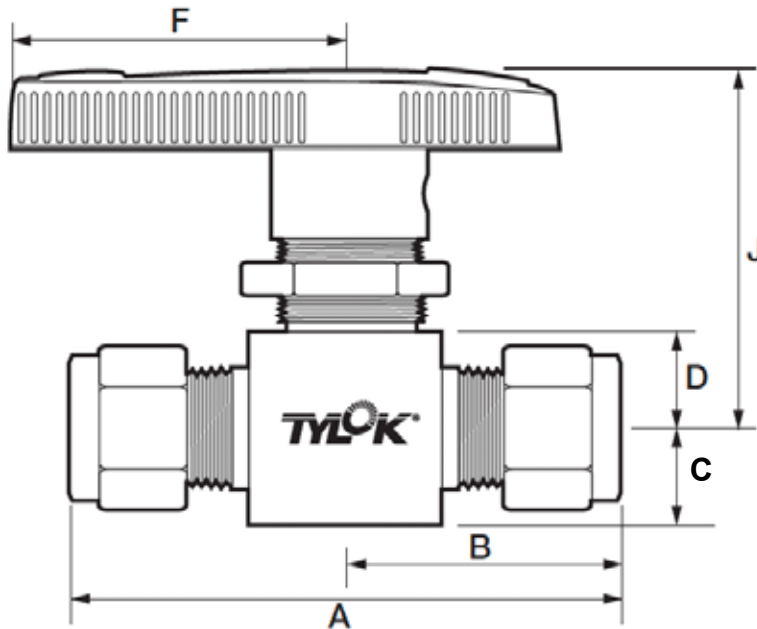
* Locking Bracket are an available option, please consult with your local Tylok Distributor

** If Equipped



— 44 & 45 Series 3-way
 — 41 & 42 Series Straight and 3-way; 43 Series 3-way, 44 & 45 Series Straight
 — 43 Series Straight

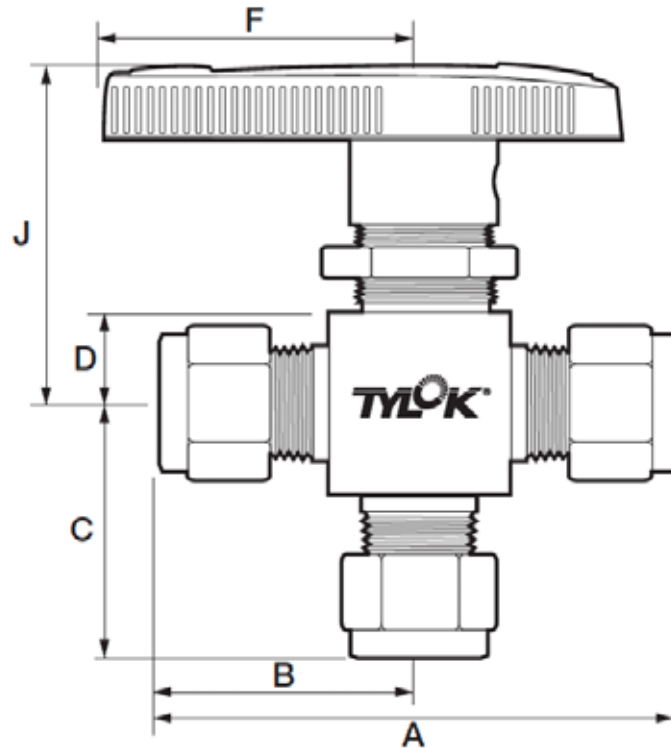
Straight Ball Valve



	Size (in)	Part Number	Interchanges With	Orifice	A	B	C	D	F	J	Body Width	Panel Nut Dia.	Panel Nut Min/Max Thickness
CBC-Lok Tube Fittings	1/8*	SS-41S-D2D2	SS-41GS2	0.093	2.02	1.01	0.28	0.34	1.12	1.36	0.58	19/32"	1/8" - 1/4"
		B-41S-D2D2	B-41S2										
	1/4*	SS-42S-D4D4	SS-42GS4	0.125	2.20	1.10	0.28	0.34	1.12	1.36	0.58	19/32"	1/8" - 1/4"
	1/4*	SS-43S-D4D4	SS-43GS4	0.187	2.40	1.20	0.38	0.44	1.53	1.47	0.78	25/32"	1/8" - 3/16"
	3/8*	SS-43S-D6D6	SS-43GS6	0.187	2.58	1.29	0.38	0.44	1.53	1.47	0.78	25/32"	1/8" - 3/16"
	3/8	SS-44-D6D6	SS-44S6	0.281	3.04	1.52	0.56	0.56	2.00	2.07	1.12	1-1/8"	1/8" - 3/8"
1/2	SS-45-D8D8	SS-45S8	0.406	3.92	1.96	0.69	0.69	3.00	2.43	1.50	1-1/2"	1/8" - 3/8"	
CS-Lok Tube Fittings	1/8*	SS-41S-S2S2	SS-41GS2	0.093	2.02	1.01	0.28	0.34	1.12	1.36	0.58	19/32"	1/8" - 1/4"
		B-41S-S2S2	B-41S2										
	1/4*	SS-42S-S4S4	SS-42GS4	0.125	2.20	1.10	0.28	0.34	1.12	1.36	0.58	19/32"	1/8" - 1/4"
	1/4*	SS-43S-S4S4	SS-43GS4	0.187	2.40	1.20	0.38	0.44	1.53	1.47	0.78	25/32"	1/8" - 3/16"
	3/8*	SS-43S-S6S6	SS-43GS6	0.187	2.58	1.29	0.38	0.44	1.53	1.47	0.78	25/32"	1/8" - 3/16"
	3/8	SS-44-S6S6	SS-44S6	0.281	3.04	1.52	0.56	0.56	2.00	2.07	1.12	1-1/8"	1/8" - 3/8"
1/2	SS-45-S8S8	SS-45S8	0.406	3.92	1.96	0.69	0.69	3.00	2.43	1.50	1-1/2"	1/8" - 3/8"	
Female NPT	1/4*	SS-43S-F4F4	SS-43GF4	0.187	2.06	1.03	0.38	0.44	1.53	1.47	0.78	25/32"	1/8" - 25/32"
	3/8	SS-44-F6F6	SS-44F6	0.281	2.50	1.25	0.56	0.56	2.00	2.07	1.12	1-1/8"	1/8" - 3/16"
	1/2	SS-45-F8F8	SS-45F8	0.406	3.12	1.56	0.69	0.69	3.00	2.43	1.50	1-1/2"	1/8" - 3/8"

* Spring Loaded

3-Way Ball Valve



	Description [size]	Part Number	Interchanges With	Orifice	A	B	C	D	F	J	Body Width	Panel Nut Dia.	Panel Nut Min/Max Thickness
CBC-Lok Tube Fittings	1/8*	SS-41XS-D2D2	SS-41GXS2	0.093	2.02	1.01	0.97	0.34	1.12	1.36	0.58	19/32"	1/8" - 1/4"
	1/4*	SS-42XS-D4D4	SS-42GXS4	0.125	2.20	1.10	1.07	0.34	1.12	1.36	0.58	19/32"	1/8" - 3/16"
	1/4*	SS-43XS-D4D4	SS-43GXS4	0.187	2.40	1.20	1.17	0.44	1.53	1.47	0.78	25/32"	1/8" - 3/16"
	3/8*	SS-43XS-D6D6	SS-43GXS6	0.187	2.58	1.29	1.29	0.44	1.53	1.47	0.78	25/32"	1/8" - 3/8"
	3/8	SS-44X-D6D6	SS-44XS6	0.281	3.04	1.52	1.43	0.56	2.00	2.07	1.12	1-1/8"	1/8" - 3/16"
	1/2	SS-45X-D8D8	SS-45XS8	0.406	3.92	1.96	1.74	0.69	3.00	2.43	1.50	1-1/2"	1/8" - 3/8"
CS-Lok Tube Fittings	1/8*	SS-41XS-S2S2	SS-41GXS2	0.093	2.02	1.01	0.97	0.34	1.12	1.36	0.58	19/32"	1/8" - 1/4"
	1/4*	SS-42XS-S4S4	SS-42GXS4	0.125	2.20	1.10	1.07	0.34	1.12	1.36	0.58	19/32"	1/8" - 1/4"
	1/4*	SS-43XS-S4S4	SS-43GXS4	0.187	2.40	1.20	1.17	0.44	1.53	1.47	0.78	25/32"	1/8" - 3/16"
	3/8*	SS-43XS-S6S6	SS-43GXS6	0.187	2.58	1.29	1.29	0.44	1.53	1.47	0.78	25/32"	1/8" - 3/16"
	3/8	SS-44X-S6S6	SS-44XS6	0.281	3.04	1.52	1.43	0.56	2.00	2.07	1.12	1-1/8"	1/8" - 3/8"
	1/2	SS-45X-S8S8	SS-45XS8	0.406	3.92	1.96	1.74	0.69	3.00	2.43	1.50	1-1/2"	1/8" - 3/8"
Female NPT	1/4*	SS-43XS-F4F4	SS-43GXF4	0.187	2.06	1.03	1.03	0.44	1.53	1.47	0.78	25/32"	1/8" - 3/16"
	3/8	SS-44X-F6F6	SS-44XF6	0.281	2.50	1.25	1.25	0.56	2.00	2.07	1.12	1-1/8"	1/8" - 3/8"
	1/2	SS-45X-F8F8	SS-45XF8	0.406	3.12	1.56	1.56	0.69	3.00	2.43	1.50	1-1/2"	1/8" - 3/8"

* Spring Loaded