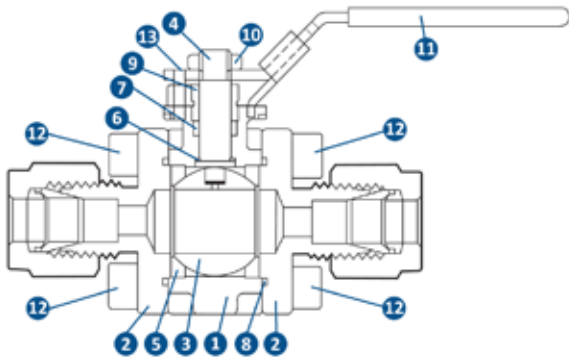


Features

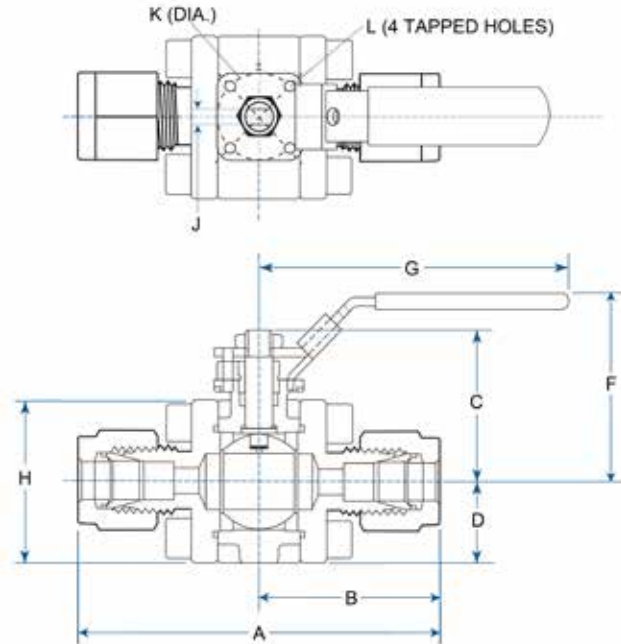
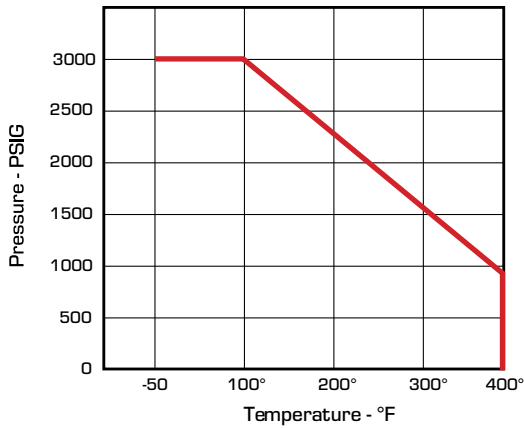
- Blowout proof stem
- Stainless Steel Construction
- Locking Handles in On & Off positions
- ISO 5211 4-Bolt Actuator Mounting Pad
- Pressure ratings up to 3,000 psig
- API 607 6th Edition Compliant
- API 608 5th Edition Compliant
- 1/4" to 1" tube connections and 1/4" to 2" female pipe connections
- NACE MRO175 Rev. 2000 Compliant
- Available series:
 - 3G Series: Instrumentation
 - 3P Series: ASME B16.34 Class 800 Compliant Pipe
 - 3S Series: Steam Service
- 3 Piece Maintenance Design
- Available with automated pneumatic actuators
- Electrically grounded stem
- Extended packing adjusted nut
- Oval handles available with "-OH" suffix



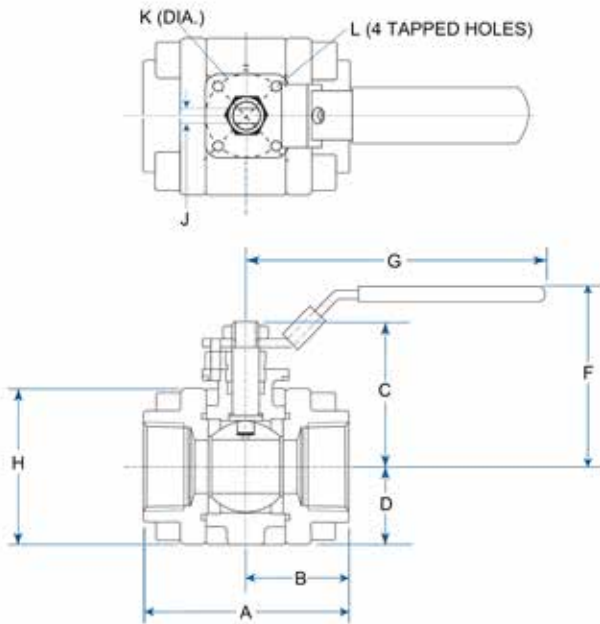
Materials of Construction				
#	Component	3G (Instrumentation)	3P (Pipe ASME)	3S (Steam)
1	Body	ASTM A351 Grade CF8M		
2	Tailpiece	ASTM A351 Grade CF8M		
3	Ball	ASTM A276 Grade 316 or ASTM A351 Grade CF8M		
4	Stem	ASTM A276 Grade 316 or ASTM A351 Grade CF8M		
5	Seat	Reinforced PTFE	Reinforced PTFE	PEEK
6	Thrust Washer	Reinforced PTFE	Reinforced PTFE	PEEK
7	Packing	Reinforced PTFE	Graphite	Graphite
8	Body Seal	Fluorocarbon FKM	Graphite	Graphite
9	Packing Nut	ASTM A276 Grade 316		
10	Handle Nut	304 Stainless Steel		
11	Handle Assembly	304 Stainless Steel		
12	Body Bolt	ASTM A193 Grade B8		
13	Handle Stop	304 Stainless Steel		

3G Series Instrumentation Ball Valve

- 1/4" to 1" Tube Connections
- 3,000 psig maximum pressure rating
- Reinforced PTFE seats and packing
- Fluorocarbon FKM flange seals



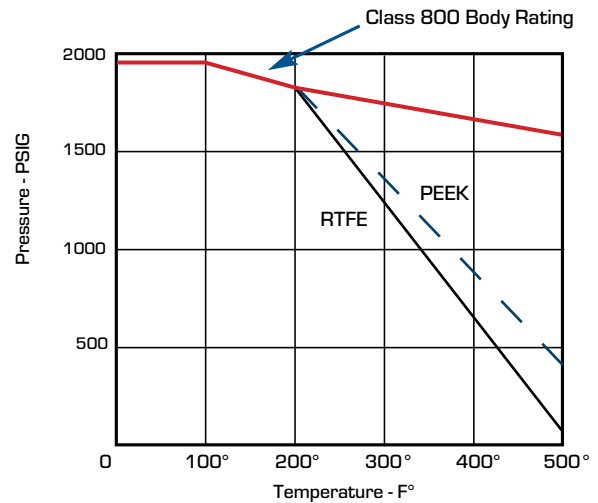
Size	Part Number	Connection	Interchange With	A	B	C	D	F	G	H	Orifice	J	K	L	Max Cycle Torque (in-lbs.)
1/4"	SS-3G8-D4D4	CBC-Lok	SS-62TS4	3.84	1.92	1.71	0.90	2.45	4.30	1.80	0.19	0.20	1.42	1/4"-20 UNC	100
	SS-3G8-S4S4	CS-Lok													
3/8"	SS-3G8-D6D6	CBC-Lok	SS-63TS6												
	SS-3G8-S6S6	CS-Lok													
1/2"	SS-3G8-D8D8	CBC-Lok	SS-63TS8	4.06	2.03	1.83	1.05	2.62	2.10	0.28	0.20	1.42	1/4"-20 UNC		
	SS-3G8-S8S8	CS-Lok													
3/4"	SS-3G12-D12D12	CBC-Lok	SS-63TS12												
	SS-3G12-S12S12	CS-Lok													
1"	SS-3G16-D16D16	CBC-Lok	SS-65TS16	5.37	2.69	2.30	1.20	3.01	5.70	2.40	0.81	0.28	1.65	230	
	SS-3G16-S16S16	CS-Lok													



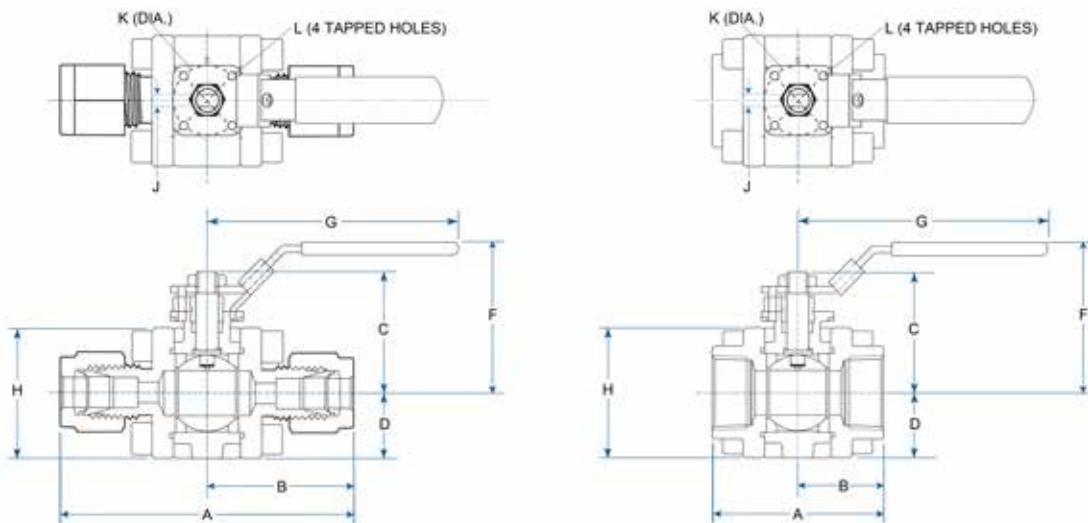
3 Piece Series

3P Series ASME B16.34 Class 800 Compliant Pipe Ball Valve

- 1/4" to 2" Female NPT Pipe Connections
- 1,920 psig maximum pressure rating
- API 607 6th Edition Compliant
- API 608 5th Edition Compliant
- Reinforced PTFE seats
- Graphite flange seals and packing



Size	Part Number	Interchange With	A	B	C	D	F	G	H	Orifice	J	K	L	Max Cycle Torque [in-lbs.]
1/4"	SS-3P8-F4F4	SS-62TF4	2.70	1.35	1.71	0.90	2.50	4.30	1.80	0.43	0.20	1.42	1/4"-20 UNC	100
3/8"	SS-3P8-F6F6	SS-63TF6												
1/2"	SS-3P8-F8F8	SS-63TF8												
3/4"	SS-3P12-F12F12	SS-63TF12	3.00	1.50	1.83	1.10	2.60		2.10	0.57				200
1"	SS-3P16-F16F16	SS-65TF16	3.50	1.75	2.34	1.20	3.00	5.70	2.40	0.81	0.28			230
1-1/4"	SS-3P20-F20F20	SS-67TF20	3.90	1.95	2.69	1.45	3.40	5.80	2.89	1.00	0.32	1.65		250
1-1/2"	SS-3P24-F24F24	SS-67TF24	4.50	2.25	2.91	1.54	3.70	7.50	3.07	1.25	0.39	1.97		380
2"	SS-3P32-F32F32	SS-68TF32	5.00	2.50	3.15	1.87	3.90		3.73	1.50			520	



3S Series Steam Service Ball Valve

- 1/4" to 1" Tube Connections and 1/4" to 2" Female NPT
- 250 psig at 406°F saturated steam rating
- API 607 6th Edition Compliant
- API 608 5th Edition Compliant
- PEEK seats
- Graphite flange seals and packing

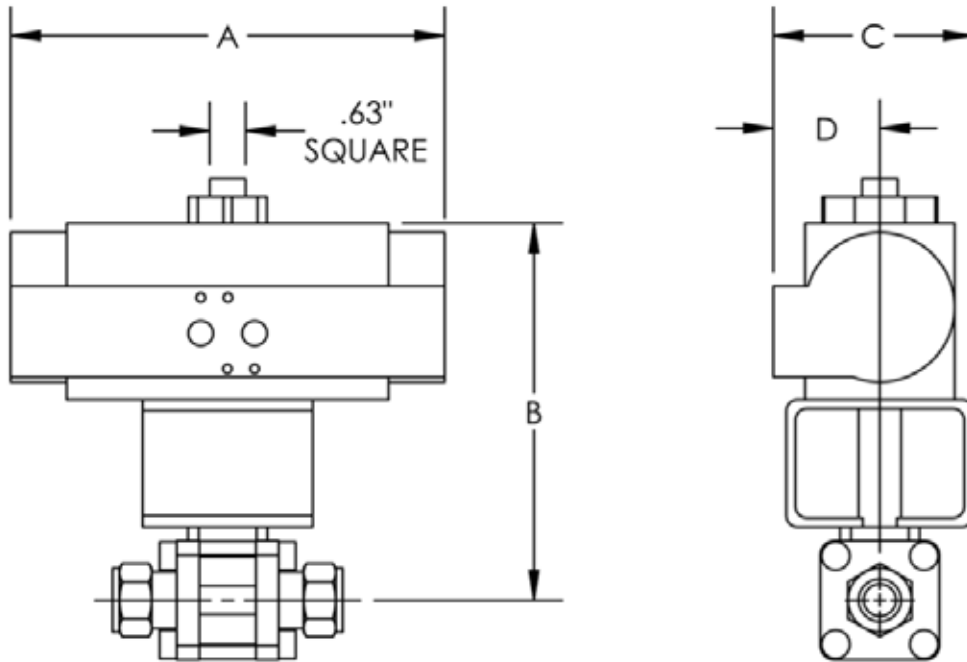
Size	Part Number	Connection	Interchange With	A	B	C	D	F	G	H	Orifice	J	K	L	Max Cycle Torque [in-lbs.]
1/4"	SS-3S8-D4D4	CBC-Lok	SS-S62PS4	3.84	1.92	1.71	0.90	2.45	4.30	1.78	0.19	0.20	1.42		80
	SS-3S8-S4S4	CS-Lok													
3/8"	SS-3S8-D6D6	CBC-Lok	SS-S62PS6	4.06	2.03	1.83	1.05	2.62	4.30	2.08	0.28	0.20	1.42		90
	SS-3S8-S6S6	CS-Lok													
1/2"	SS-3S8-D8D8	CBC-Lok	SS-S63PS8	4.06	2.03	1.83	1.05	2.62	4.30	2.08	0.41	0.20	1.42		90
	SS-3S8-S8S8	CS-Lok													
3/4"	SS-3S12-D12D12	CBC-Lok	SS-S63PS12	5.37	2.69	2.34	1.20	3.01	5.70	2.35	0.57	0.28	1.65	1/4"-20 UNC	150
	SS-3S12-S12S12	CS-Lok													
1"	SS-3S16-D16D16	CBC-Lok	SS-S65PS16	5.37	2.69	2.34	1.20	3.01	5.70	2.35	0.81	0.28	1.65	1/4"-20 UNC	150
	SS-3S16-S16S16	CS-Lok													
1/4"	SS-3S8-F4F4	Female NPT	SS-S63PF4	2.70	1.35	1.71	0.90	2.50	4.30	1.78	0.43	0.20	1.42		80
3/8"	SS-3S8-F6F6		SS-S63PF6												
1/2"	SS-3S8-F8F8		SS-S63PF8												
3/4"	SS-3S12-F12F12		SS-S63PF12	3.00	1.50	1.83	1.10	2.60	4.30	2.08	0.57	0.20	1.42	90	
1"	SS-3S16-F16F16		SS-S65PF16	3.50	1.75	2.34	1.20	3.00	5.70	2.35	0.81	0.28	1.65	150	
1-1/4"	SS-3S20-F20F20		SS-S67PF20	3.90	1.95	2.69	1.45	3.40	5.80	2.89	1.00	0.32	1.65	220	
1-1/2"	SS-3S24-F24F24		SS-S67PF24	4.50	2.25	2.91	1.54	3.70	7.50	3.07	1.25	0.39	1.97	400	
2"	SS-3S32-F32F32		SS-S68PF32	5.00	2.50	3.15	1.87	3.90	7.50	3.73	1.50	0.39	1.97	450	



- Operating Pressure Range: 80 to 100 psig
- Operating Temperature: 40°F to 200°F
- Operating Media: Dry or Lubricated Non-Corrosive Gas
- 120V and 24V DC NAMUR Solenoid and Topworks Mount
- 1/4" Actuator Ports
- Dual Position Limit Stops
- Stainless Steel Brackets and Fasteners
- Mud Daubers screened fittings available on vent ports (-MDF)

Actuator Designators			
Series	Double Acting	Spring Return Open	Spring Return Closed
3G8, 3G12 3P8, 3P12 3S8, 3S12	-125DA	-250SRO	-250SRC
3G16, 3P16	-250DA	-250SRO	-250SRC
3S16	-250DA	-450SRO	-450SRC

Designators are added at the end of the part number. For example, a 3G instrumentation series 3/8" CBC-lok tube ended ball valve with a double acting actuator would be SS-3G8-D6D6-125DA.



Series	Actuator Designator	A	B	C	D	Actuation Pressure
3G8 3P8 3S8	125DA	4.72	5.85	3.02	1.65	80-100 psi
	250SRC, 250SRO	7.66	6.44	3.39	1.88	
3G12 3P12 3S12	125DA	4.72	5.85	3.02	1.65	
	250SRC, 250SRO	7.66	6.44	3.39	1.88	
3G16 3P16	250SRC, 250SRO 250DA	7.66	7.61	4.88	1.88	
	250DA	7.66		5.03	2.03	
S316	450SRC, 450SRO	8.09		5.03	2.03	