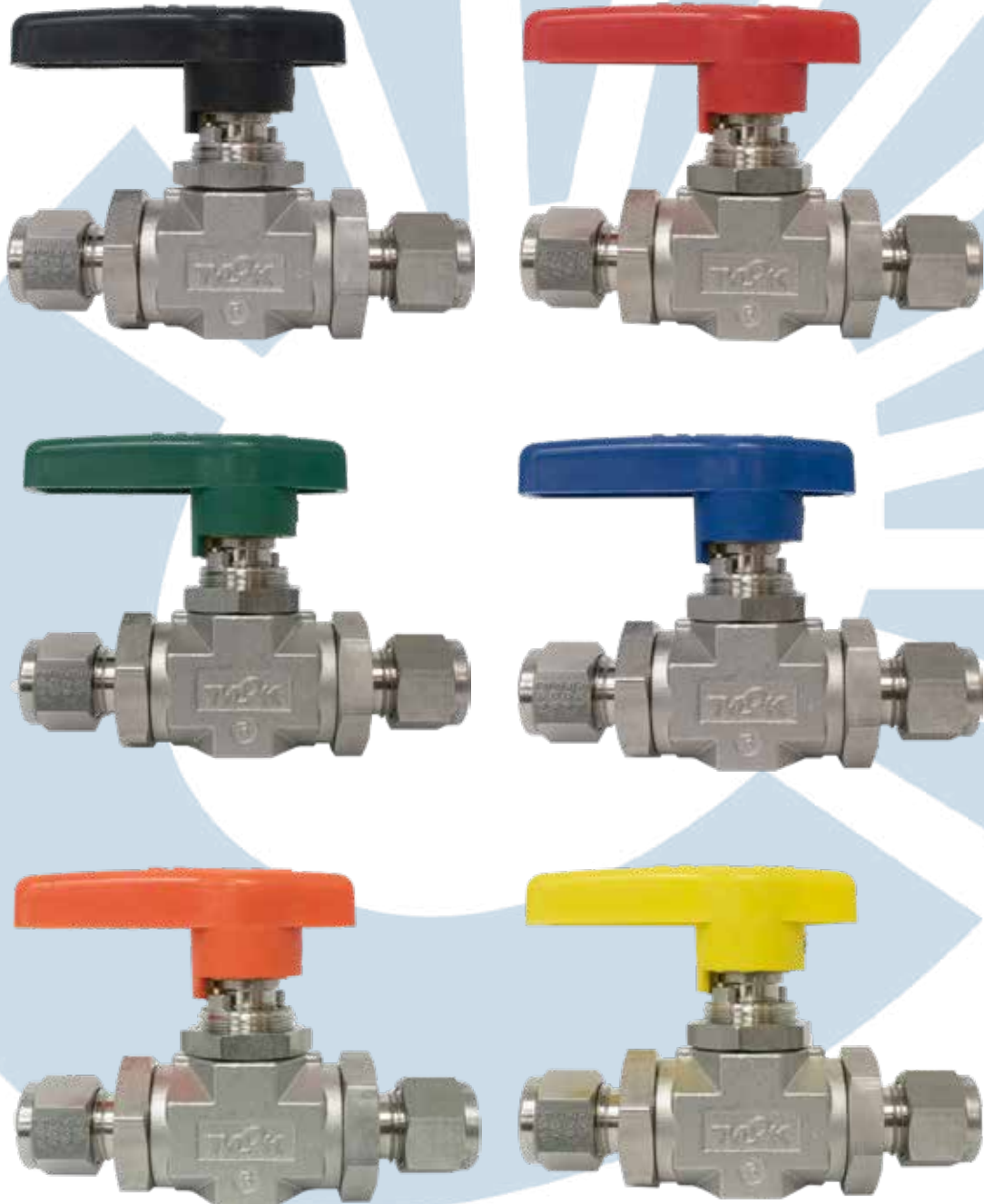


# High Pressure Ball Valves

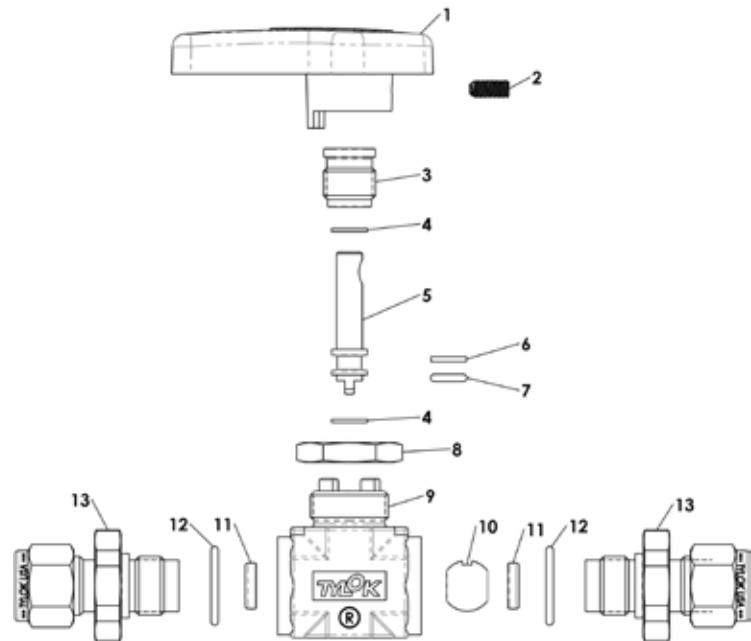
HP Series



## Features

- Stainless steel construction
- Pressure ratings up to 6,000 psig
- Quarter turn operation
- Bi-directional flow
- Free-floating ball
- FKM end connector and stem seals
- PTFE and PEEK seat options
- 1/8" to 3/4" tube and NPT connections available
- Standard panel mounting capabilities
- Lockout devices and color-coded handles available

#	Components	Stainless Steel
1	Handle	Nylon with Brass Insert
2	Screw	Carbon Steel
3	Gland Nut	316 SS
4	Stem Washer	Nylatron
5	Stem	316 SS
6	Stem Back-up Ring	PTFE
7	Stem Seal	Fluorocarbon FKM
8	Panel Lock Nut	316 SS
9	Body	316 SS
10	Ball	316 SS
11	Seat	PTFE, PEEK
12	End Connector Seal	Fluorocarbon FKM
13	End Connector	316 SS
	Lubricant	Perfluoropolyether Grease



Seat Material	PTFE	PEEK
Designator	-T	-PK
Pressure Rating @100°F (psig)	1500	6000
Temperature Rating (°F)	-15 to 400	-15 to 400

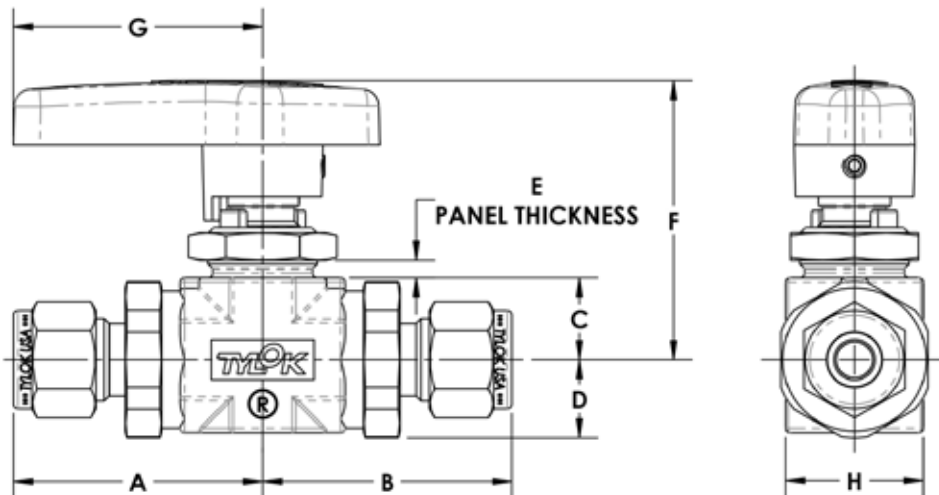
# High Pressure Ball Valves

**Part Number Shown:**

**SS-6-DTT-6-6-PK**

CBC-Lok® double ferrule tube ends are completely interchangeable with Swagelok® & Parker A-Lok® tube ends.

CS-Lok® single ferrule tube ends are completely interchangeable with Parker CPI® tube ends.



## Valve Dimension Chart

	Part Number	Connection		Orifice Inch (mm)	Dimensions (Inches)									
		Port A	Port B		A	B	C	D	E	F	G	H	Panel Hole	Panel Nut Hex
SERIES 4	SS-4-DTT-2-2*	1/8" CBC-Lok		0.188 (4.8)	1.54	1.54	0.56	0.47	1/8	1.89	1.70	0.88	0.75	7/8
	SS-4-STT-2-2*	1/8" CS-Lok												
	SS-4-DTT-4-4	1/4" CBC-Lok			1.63	1.63								
	SS-4-STT-4-4	1/4" CS-Lok												
	SS-4-1FF-2-2	1/8" Female NPT			1.21	1.21								
	SS-4-1FF-4-4	1/4" Female NPT			1.46	1.46								
	SS-4-1MM-2-2	1/8" Male NPT			1.30	1.30								
SS-4-1MM-4-4	1/4" Male NPT		1.49	1.49										
SERIES 6	SS-6-DTT-4-4*	1/4" CBC-Lok		0.250 (6.4)	1.65	1.65	0.56	0.54	5/32	1.91	1.70	0.94	0.75	7/8
	SS-6-STT-4-4*	1/4" CS-Lok												
	SS-6-DTT-6-6	3/8" CBC-Lok			1.71	1.71								
	SS-6-STT-6-6	3/8" CS-Lok												
	SS-6-DTT-8-8	1/2" CBC-Lok			1.83	1.83								
	SS-6-STT-8-8	1/2" CS-Lok												
	SS-6-1FF-4-4	1/4" Female NPT			1.51	1.51								
	SS-6-1FF-6-6	3/8" Female NPT			1.70	1.70								
	SS-6-1FF-8-8	1/2" Female NPT												
	SS-6-1MM-4-4	1/4" Male NPT			1.51	1.51								
	SS-6-1MM-6-6	3/8" Male NPT			1.70	1.70								
	SS-6-1MM-8-8	1/2" Male NPT												
SERIES 8	SS-8-DTT-6-6*	3/8" CBC-Lok		0.375 (9.5)	1.85	1.85	0.81	0.65	5/32	2.29	1.96	1.13	0.88	1-1/16
	SS-8-STT-6-6*	3/8" CS-Lok												
	SS-8-DTT-8-8	1/2" CBC-Lok			1.96	1.96								
	SS-8-STT-8-8	1/2" CS-Lok												
	SS-8-DTT-12-12	3/4" CBC-Lok			1.97	1.97								
	SS-8-STT-12-12	3/4" CS-Lok												
	SS-8-1FF-6-6	3/8" Female NPT			1.61	1.61								
	SS-8-1FF-8-8	1/2" Female NPT			1.78	1.78								
	SS-8-1FF-12-12	3/4" Female NPT			1.90	1.90								
	SS-8-1MM-6-6	3/8" Male NPT			1.65	1.65								
	SS-8-1MM-8-8	1/2" Male NPT												

\* Reduced Port

HP Series Ball Valve are ordered as listed in this catalog by inserting the material code before the part number. HP Series Valves can be identified through the part number as to material, valve series, style, valve configurations, port size, and seat material. The part number describes a complete ball valve assembly.

**Special Configurations available upon request.**

HP Series

**SS - 8 - D FT - 8 - 6 - PK - LD - RD**  
 ↓ ↓ ↓ ↓ ↓ ↓ ↓ ↓  
**Material Valve Series Style Port A / Port B Port A / Port B Size Seat Modifiers Color Handles**  
**Chart 1 Chart 2 Chart 3 Chart 4 Chart 5 Chart 6 Chart 7 Chart 8**

Chart 1- Material	
SS	Stainless Steel

Chart 2- Valve Series	
4	0.188" Orifice
6	0.250" Orifice
8	0.375" Orifice

Chart 3- Style	
D	CBC-Lok
S	CS-Lok
1	Tylok Standard

Chart 4- Valve Configuration		
Type	Port A	Port B
TT	Tube	Tube
MM <sup>1</sup>	Male NPT	Male NPT
FF <sup>1</sup>	Female NPT	Female NPT
MF <sup>1</sup>	Male NPT	Female NPT
FM <sup>1</sup>	Female NPT	Male NPT
TM	Tube	Male NPT
MT	Male NPT	Tube
TF	Tube	Female NPT
FT	Female NPT	Tube

<sup>1</sup> Use Style 1 from Chart 3 for this type of configuration.

Chart 5- Port Size		
Designator	Tube OD (Inches)	Pipe Thread (NPT)
2	1/8"	1/8-27
4	1/4"	1/4-18
6	3/8"	3/8-18
8	1/2"	1/2-14
12	3/4"	3/4-14

\* See dimension chart for available sizes.

Chart 6- Seat	
T	PTFE
PK	PEEK

Chart 7- Modifiers	
LD	Locking Handle

Chart 8- Color Handles	
RD	Red Handle
BL	Blue Handle
GN	Green Handle
OG	Orange Handle
YW	Yellow Handle

\* Black handles are default on HP ball valves.

**Example: SS-4-DTT-4-4-T**

Designates a 1500 psi stainless steel ball valve, 0.188" orifice with 1/4" CBC-Lok® end connections and PTFE seats.

**Example: SS-6-1FF-6-4-PK**

Designates a 5000 psi stainless steel ball valve, 0.250" orifice with a 3/8" Female NPT end connections for port A and a 1/4" female NPT end connection for port B and PEEK seats.

## Handle Options

Color	Valve Adder	4 & 6 Series Kit	8 Series Kit
Black (Standard)		KIT-46-BK	KIT-8-BK
Red	-RD	KIT-46-RD	KIT-8-RD
Blue	-BL	KIT-46-BL	KIT-8-BL
Green	-GN	KIT-46-GN	KIT-8-GN
Orange	-OG	KIT-46-OG	KIT-8-OG
Yellow	-YW	KIT-46-YW	KIT-8-YW

Kits come with a Handle and Set Screw.  
Sample Part Number:

- **SS-6-DTT-8-8-K-BL**

PEEK Seated 6 Series HP Ball Valve  
with 1/2" CBC-Lok End Connectors  
and a Blue Handle

## Locking Device

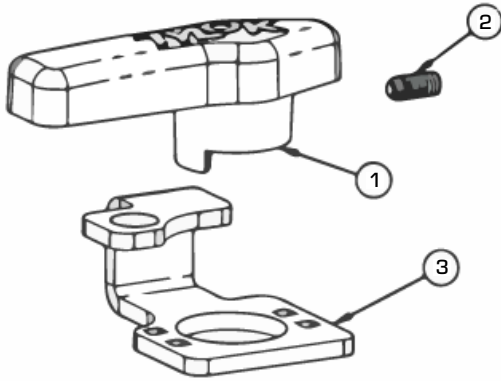
Valve Adder	4 & 6 Series Kit	8 Series Kit
-LD	KIT-46-HPBV-LD	KIT-8-HPBV-LD



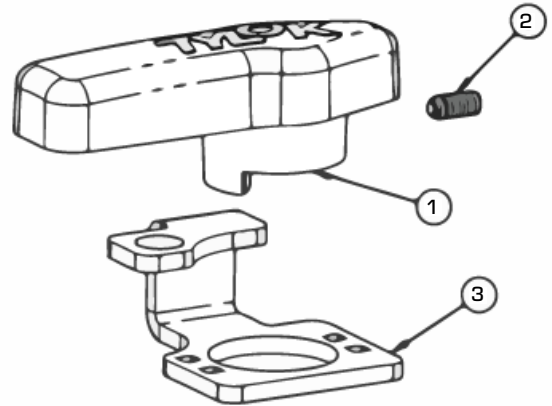
Kits come with a Locking Device

- **SS-6-DTT-8-8-PK-LD**

PEEK Seated 6 Series HP Ball Valve  
with 1/2" CBC-Lok End Connectors  
and a Locking Device



4 & 6 Series



8 Series

Kit Number	Description	Handle	Set Screw	Locking Bracket
KIT-46-BK*	4/6 Series Ball Valve Black Handle Kit	6-BV-16-BK	BV-16B	N/A
KIT-8-BK*	8 Series Ball Valve Black Handle Kit	8-BV-16-BK	BV-16B	N/A
-	-	-	-	-
KIT-46-HPBV-LD	4/6 Series Locking Device	N/A	N/A	SS-6-BV-17
KIT-8-HPBV-LD	8 Series Locking Device	N/A	N/A	SS-6-BV-17
-	-	-	-	-
KIT-46-HPBV-LDH**	4/6 Series Ball Valve Black Handle Kit with Locking Device	6-BV-16-BK	BV-16B	SS-6-BV-17
KIT-8-HPBV-LDH**	8 Series Ball Valve Black Handle Kit with Locking Device	8-BV-16-BK	BV-16B	SS-6-BV-17

\* "BK" designates black colored handle, other color handles are available and should be verified against part number.

\*\* By default "LDH" kits contain black handles, however other color handles are available and should be verified against part number.