



# CH SERIES CHECK VALVES



## CH SERIES CHECK VALVES FOR INSTRUMENTATION

Tylok check valves are poppet-style valves made of 316 stainless steel, and feature a compact design that is perfect for instrumentation systems. These directional valves are normally closed, but open when the differential pressure between the inlet and outlet exceed the spring pressures.

### Features:

- 6000 psig (413 bar) maximum pressure rating
- -10 °F (-23°C) to 400 °F (204°C) temperature rating
- 1/3 to 10 psig cracking pressures
- Fluorocarbon FKM Seals
- End connections – Integral tube fitting (both twin [CBC-Lok®] and single [CS-Lok®] ferrule designs)
- Available in sizes 1/4", 3/8", 1/2", and 3/4"



## PRESSURE-TEMPERATURE RATINGS

(based on fluorocarbon FKM seals)

TEMPERATURE, °F (°C)	WORKING PRESSURE, psig (bar)
-10 (-23) to 100 (37)	6000 (413)
200 (93)	5160 (355)
250 (121)	4910 (338)
300 (148)	4660 (321)
400 (204)	4280 (295)

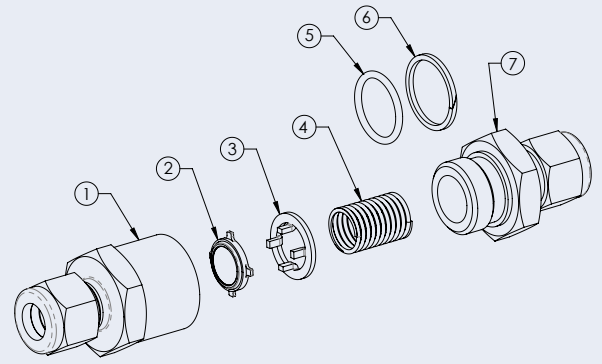
## CRACKING AND RESEAL PRESSURES

NOMINAL CRACKING PRESSURE psig (bar)	CRACKING PRESSURE RANGE psig (bar)	RESEAL PRESSURE RANGE psig (bar)
1/3 (0.02)	1/3 to 3 (0.02 to 0.20)	Up to 6 (0.41) downstream pressure
1 (0.06)	1 to 4 (0.06 to 0.27)	Up to 6 (0.41) downstream pressure
5 (0.34)	3 to 9 (0.20 to 0.62)	Up to 2 (0.14) or more upstream pressure
10 (0.68)	7 to 15 (0.48 to 1.00)	Up to 3 (0.20) or more upstream pressure



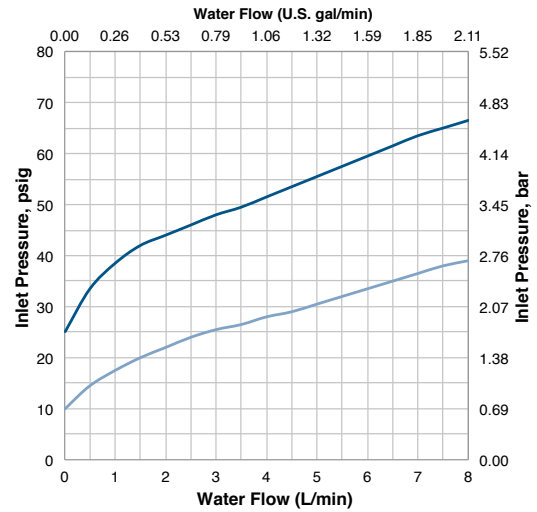
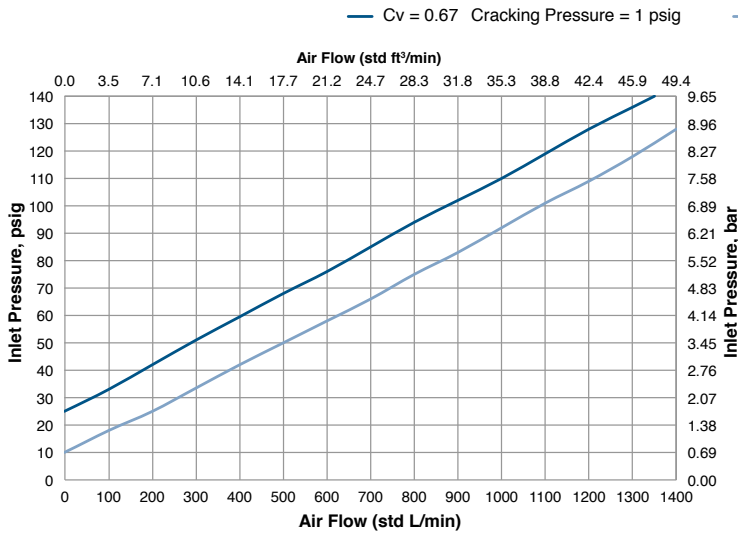
# MATERIALS OF CONSTRUCTION

NO.	DESCRIPTION	MATERIAL / ASTM SPEC
1	Inlet body	316SS / A479
2	Bonded poppet	Fluorocarbon FKM – Bonded 316SS / A479
3	Poppet stop	316SS / A240
4	Spring	302SS / A313
5	O-ring	Fluorocarbon FKM
6	Backup ring	PTFE / D1710
7	Outlet body	316SS / A479

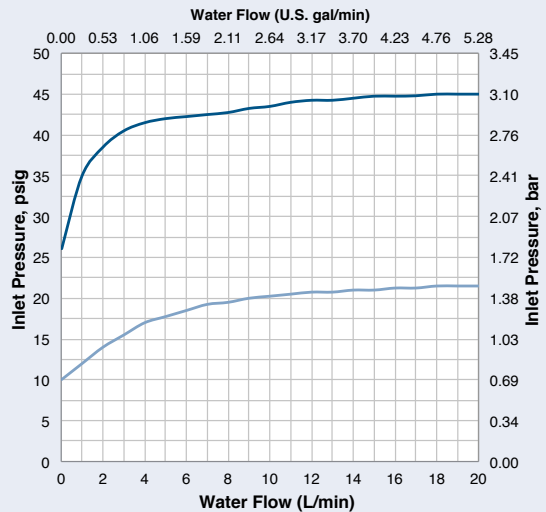
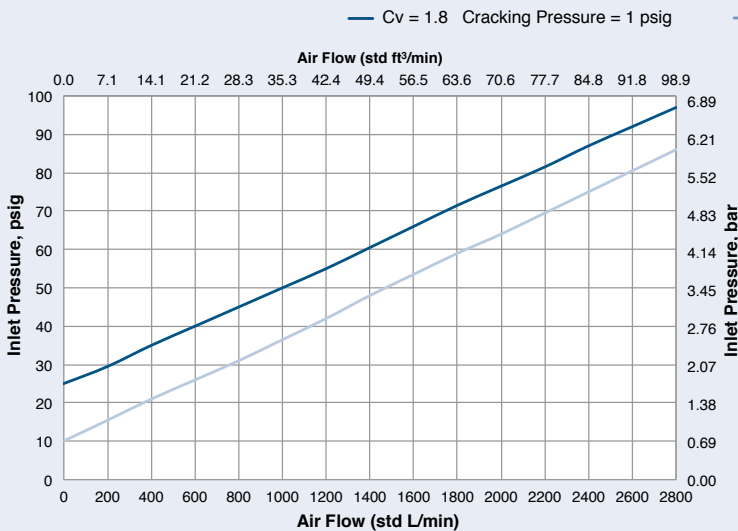


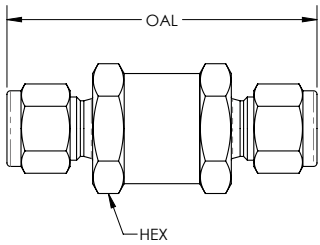
## FLOW DATA

### 1/4" CH SERIES



### 1/2" CH SERIES





END CONNECTION		ORDERING PART NUMBER	PRESSURE RATING AT 100°F (37°C) psig (bar)	C <sub>v</sub>	OAL	HEX
TYPE	SIZE					
CBC-Lok® Tube Fitting	1/4	SS-CH-D4D4-	6000 (413)	1.80	2.75	1
	3/8	SS-CH-D6D6-				
	1/2	SS-CH-D8D8-	5000 (344)	4.70	3.52	1-5/8
	3/4	SS-CH-D12D12-				
CS-Lok® Tube Fitting	1/4	SS-CH-S4S4-	6000 (413)	1.80	2.75	1
	3/8	SS-CH-S6S6-				
	1/2	SS-CH-S8S8-	5000 (344)	4.70	3.52	1-5/8
	3/4	SS-CH-S12S12-				

Note: All dimensions subject to change; to be used for reference only.

To order, add the cracking pressure to the ordering part number. Available cracking pressures (in psig) are 1/3, 1, 5, and 10. Example: SS-CH-D6D6-1/3

**NOTICE:** In designing a system incorporating tube fittings and valves, it is the designer's and/or user's obligation and responsibility to determine the appropriate components to be used for each application and to ensure proper installation and maintenance. Pressure and temperature specifications must be made based a number of factors including, but not limited to: material, tubing, and the size and type of the end connections. See the Tylok Tube and Pipe Fitting catalogs for details.



1061 EAST 260TH STREET EUCLID, OH 44132

P : 216.261.7310 T : 1.800.321.0466 F : 216.261.7317 INFO@TYLOK.COM **TYLOK.COM**

LIT-0009 REV A