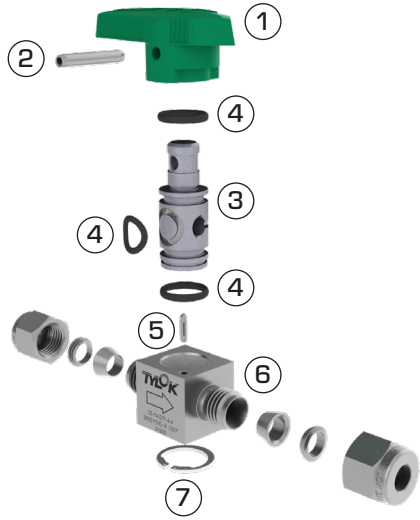




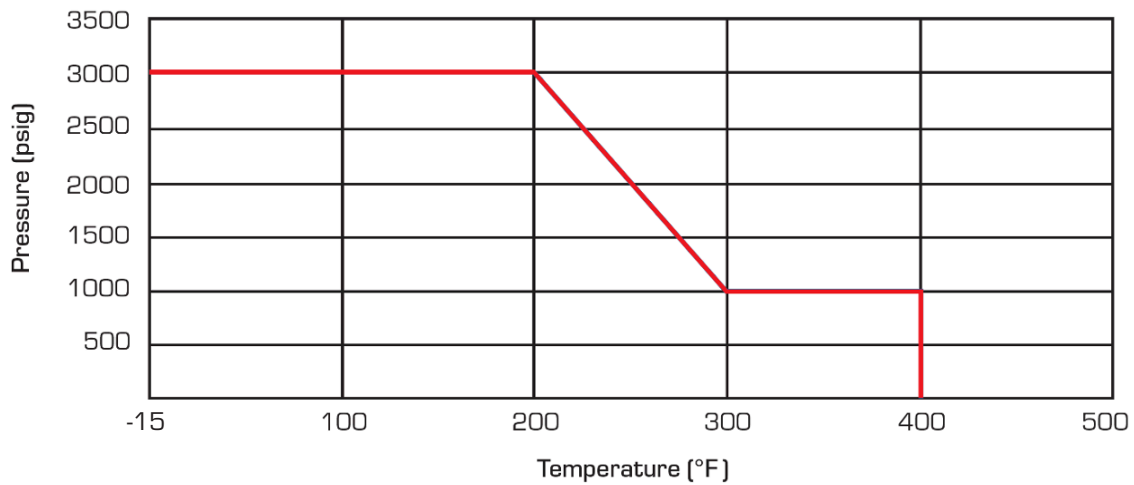
Features

- Working pressures up to 3000 psig
- CBC-Lok Tube, CS-Lok Tube, and NPT End Connections
- 1/8" through 1/2" sizes
- Stainless steel construction
- CBC-Lok® interchanges with Swagelok® & Parker A-Lok®
- CS-Lok® interchanges with Parker CPI®
- Unidirectional Flow
- Throttleable
- Downstream vented options available
- One piece body
- O-ring seals

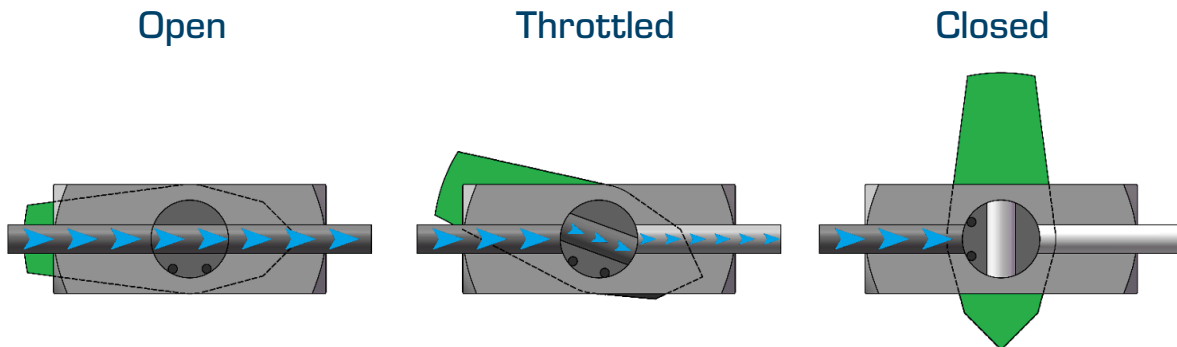


#	Component	Material
1	Handle	Nylon 6/6
2	Pin	316 SS
3	Plug	PTFE-coated 316 SS
4	O-ring	PTFE-coated Fluorocarbon FKM
5	Pin	316 SS
6	Body	316 SS
7	Snap Ring	PH 15-7 SS
	Lubricant	Perfluoropolyether Based

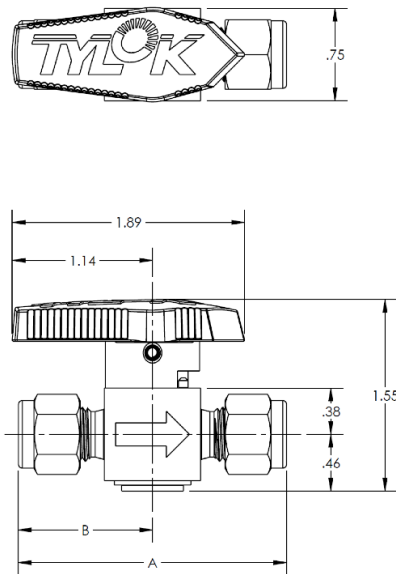
Pressure - Temperature with FKM Seals



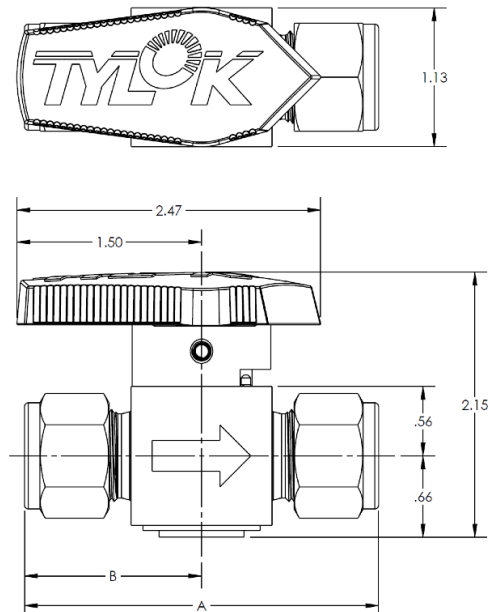
Unidirectional Flow



P4 Series



P6 Series



Inlet/Outlet End	End Size	Part Number	Competitive Part Numbers		Series	Orifice	A	B
CBC-Lok	1/8	SS-P4-DTT-2-2	SS-2P4T	2A-PR4-VT-SS	P4	0.093	1.99	0.98
	1/4	SS-P4-DTT-4-4	SS-4P4T	4A-PR4-VT-SS			2.17	1.08
	3/8	SS-P4-DTT-6-6	SS-6P4T	6A-PR4-VT-SS		P6	0.172	2.29
		SS-P6-DTT-6-6	SS-6P6T	6A-PR6-VT-SS	2.66			1.33
	1/2	SS-P6-DTT-8-8	SS-8P6T	8A-PR6-VT-SS		0.283	2.88	1.44
CS-Lok	1/8	SS-P4-STT-2-2	-	2Z-PR4-VT-SS	P4	0.093	1.99	0.98
	1/4	SS-P4-STT-4-4	-	4Z-PR4-VT-SS			2.17	1.08
	3/8	SS-P4-STT-6-6	-	6Z-PR4-VT-SS		P6	0.172	2.29
		SS-P6-STT-6-6	-	6Z-PR6-VT-SS	2.66			1.33
	1/2	SS-P6-STT-8-8	-	8Z-PR6-VT-SS		0.283	2.88	1.44
Female NPT	1/8	SS-P4-1FF-2-2	SS-2P4T4	2F-PR4-VT-SS	P4	0.172	1.78	0.89
	1/4	SS-P4-1FF-4-4	SS-4P4T4	4F-PR4-VT-SS			2.09	1.05
	1/2	SS-P6-1FF-8-8	SS-8P6T4	8F-PR6-VT-SS	P6	0.283	2.88	1.44
Male NPT	1/8	SS-P4-1MM-2-2	SS-2P4T2	2M-PR4-VT-SS	P4	0.172	1.53	0.76
	1/4	SS-P4-1MM-4-4	SS-4P4T2	4M-PR4-VT-SS			1.90	0.95
Male NPT / CBC-Lok	1/4	SS-P4-DMT-4-4	SS-4P4T1	4M4A-PR4-VT-SS	P4	0.172	2.03	0.95
Male NPT / CS-Lok	1/4	SS-P4-SMT-4-4	-	4M4Z-PR4-VT-SS				
Male NPT/Female NPT	1/4	SS-P4-1MF-4-4	SS-4P4T5	4M4F-PR4-VT-SS				2.00

Options & Accessories

O-Ring Options

O-Ring Material	Temp. Range	Valve Designator	P4 Kit	P6 Kit
PTFE Coated FKM	-15 to 400 °F	Default	KIT-P4-TV	KIT-P6-TV
PTFE Coated Buna-N	-30 to 225 °F	-TB	KIT-P4-TB	KIT-P6-TB
PTFE Coated EPDM	-70 to 250 °F	-TE	KIT-P4-TE	KIT-P6-TE
PTFE Coated Neoprene	-35 to 225 °F	-TN	KIT-P4-TN	KIT-P6-TN

Kalrez® (-KZ) available upon request.

EX: P4 with Buna-N O-rings and 1/4" CBC-Lok ends: SS-P4-DTT-4-4-TB

Handle Options

Color	Valve Designator	P4 Kit	P6 Kit
Green	Default	KIT-P4-GN	KIT-P6-GN
Black	-BK	KIT-P4-BK	KIT-P6-BK
Blue	-BL	KIT-P4-BL	KIT-P6-BL
Red	-RD	KIT-P4-RD	KIT-P6-RD

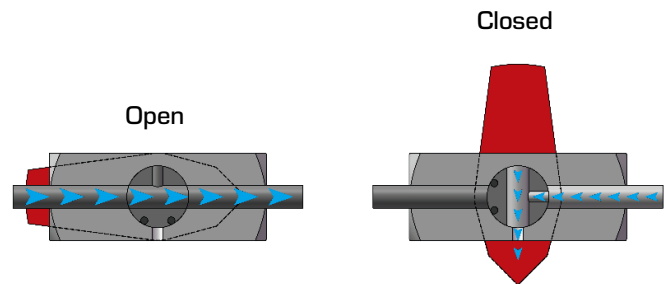
EX: P4 with black handle and 1/4" CBC-Lok ends: SS-P4-DTT-4-4-BK

Downstream Vent

Valves vents downstream to atmosphere when closed.

- Working Pressure derated to 150 psig max.
- Red handles are standard
- To order:
 - Change P4 to P4V
 - Change P6 to P6V

EX: Vented P4 with 1/4" CBC-Lok Tube ends: SS-P4V-DTT-4-4



Locking Handle

Series	Valve Designator	Kit
P4	-LD	KIT-P4-LD
P6	-LD	KIT-P6-LD

Kit comes with green handle. Consult factory for other options.

EX: P4 with locking device and 1/4" CBC-Lok Ends: SS-P4-DTT-4-4-LD

Panel Mount

Series	Valve Designator	Kit
P4	-MB	KIT-P4-MB
P6	-MB	KIT-P6-MB

EX: P4 with locking device and 1/4" CBC-Lok Ends: SS-P4-DTT-4-4-MB

All Options

EX: Vented P4 with Buna-N O-rings, black handle and locking device: SS-PV4-DTT-4-4-TB-BK-LD